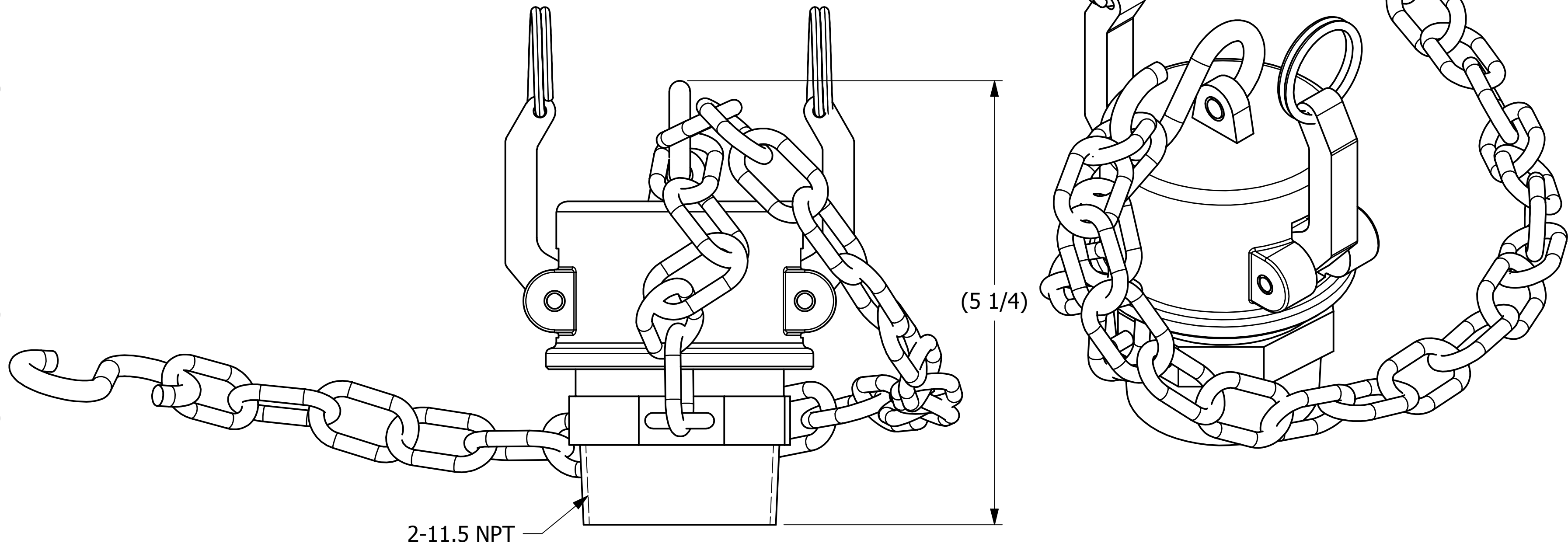


NOTE:  
GASKET IS BLACK VITON B.

21 LINKS OF 3/16" 18-8 SS CHAIN  
APPROXIMATELY 21" IN LENGTH



SALES DRAWING

SALES DRAWING

A	RJP	3-27-15	RELEASED FOR PRODUCTION
REV	BY	DATE	DESCRIPTION

UNLESS OTHERWISE SPECIFIED DIMENSIONAL TOLERANCES FRACTIONAL: $\pm 1/16$ X.XX: $\pm .03$ X.XXX: $\pm .015$ ANGLE: $\pm 1^\circ$ DEBURR ALL SHARP EDGES. ALL MACHINED SURFACES TO HAVE A 125 RMS FINISH UNLESS NOTED OTHERWISE.	DRAWN BY:	RJP
	CHECKED BY:	CHL
	PROTOTYPE BY:	RJP
	PROTOTYPE DATE:	11/14/2013
	APPROVED FOR PRODUCTION BY:	CHL

<b>SALCO PRODUCTS, INC.</b>		
PART NAME: <b>TOP FITTING ASSEMBLY 2" THREAD ON</b>		
MATERIAL: <b>316 SS</b>		
PROJECT #:	SHEET #:	SCALE:
<b>131114FR</b>	<b>1 OF 1</b>	<b>1:1</b>
DRAWING #:	PART #:	
<b>C37744</b>	<b>K20SUMP7A</b>	

PRODUCTION DATE:	3/27/2015
------------------	-----------

THIS PRINT, PROPERTY OF SALCO PRODUCTS INC., CONTAINS PROPRIETARY INFORMATION AND MUST NOT BE COPIED, REPRODUCED, OR USED DETRIMENTALLY TO OUR INTEREST.

